

AUDRA PENDANT

PRODUCT FEATURES

- Mouth-blown thick organic flowing glass
- Modern design style
- Complementary Audra Grande Pendant also available from Tech Lighting
- Fully dimmable LED and Halogen lamping options to create the desired ambiance
- Ideal for kitchen island task lighting, bathroom lighting and home office lighting
- Protected by a 1-year warranty



LAMPING

Includes low-voltage, 35 watt halogen bi-pin lamp or 6 watt, 300 delivered lumen, replaceable LED Tech Lighting module. Dimmable with low-voltage electronic or magnetic dimmer (based on transformer). Fixture provided with six feet of field-cuttable cable.

Clear



Clear

Smoke

Surf Green

White

ORDERING INFORMATION

700	SYSTEM	ADR	COLOR	FINISH	LAMP
	TD LINE-VOLTAGE PENDANTS/SUSPENSION		C CLEAR K SMOKE G SURF GREEN W WHITE	S SATIN NICKEL	12 VOLT HALOGEN (T20) -LED930 12 VOLT LED 90 CRI 3000K (T20/T24)

Please note. Not compatible with Low-Voltage systems such as Monorail or FreeJack due to weight.

700 _____ ADR _____

JOB NAME _____

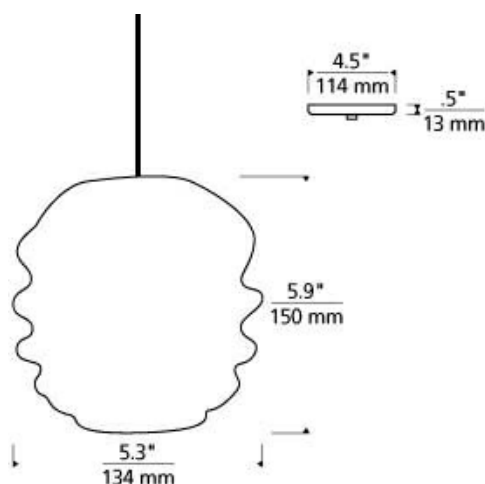
NOTES _____



AUDRA PENDANT

SPECIFICATIONS

HARDWARE MATERIAL	Metal
SHADE MATERIAL	Glass
NET WEIGHT	6 lbs
HEIGHT	5.9in
WIDTH	5.3in
LENGTH	5.3in
UP LIGHT / DOWN LIGHT / BOTH?	
WET LISTED	
DAMP LISTED	Yes
DRY LISTED	
MIN. HANGING HEIGHT	12.4in
MAX HANGING HEIGHT	78.4in
TOTAL CORD LENGTH	72in
TOTAL STEM LENGTH	
STEM QTY	
SLOPED CEILING ADAPTABLE?	Yes 45° Max
GENERAL LISTING	ETL Listed
INCLUDES	



LAMPING SPECIFICATIONS

	LED LAMP	INTEGRATED LED	NON LED	NO LAMP
DELIVERED LUMENS	300		300	
WATTS	6		35	
MAX WATTAGE PER BULB	35W		35W	
INPUT VOLTAGE	120V		120V	
DIMMING TYPE*	ELV		ELV	
CCT	3000K		3000K	
CRI	90 CRI		90 CRI	
LED LIFETIME				
L70				
AVERAGE BULB HOURS	30000		2000	
FIELD SERVICEABLE LED				
LAMP BASE	GY 6.35		GY 6.35	
LAMP SHAPE	T4		T4	
LAMP INCLUDED?	Y		Y	
WARRANTY**	1 Year		1 Year	

*Dimming information available at www.techlighting.com/Downloads#dimming
 ** Visit techlighting.com for specific warranty limitations and details.

T20 / T24 INFORMATION

	Integrated LED	Replacement LED Lamp	No Lamp *
This product can be used to comply with California Building Energy Efficiency Standards 2016 Title 24 Part 6.		Yes	
This product can be used to comply with California Appliance Efficiency Standards 2016 Title 20 and may be shipped to and sold in California.		Yes	

* If a light fixture or component does not include a lamp or light source, it is the responsibility of the customer to select a lamp that meets the T24 and T20 requirements.

