

MINI MELROSE II PENDANT

PRODUCT FEATURES

- Graceful conical design makes for eye alluring appeal
- Available in 3 contemporary glass options
- Ideal for kitchen islands, task lighting and vanity lighting
- Available lamping options include energy efficient LED or halogen
- Fully dimmable lamping options to create the desired ambiance
- Protected by a 1-year warranty



LAMPING

Includes low-voltage, 35 watt halogen bi-pin lamp or 8 watt, 300 delivered lumen, 3000K replaceable LED SORAA® module and six feet of field-cutable cable. Dimmable with low-voltage electronic or magnetic dimmer (based on the transformer).



ORDERING INFORMATION

700	SYSTEM	MML	COLOR	FINISH	LAMP
	FJ FREEJACK		C CLEAR	Z ANTIQUE BRONZE	12 VOLT HALOGEN (T20)
	KL KABLE LITE		K SMOKE	C CHROME	-24 24 VOLT HALOGEN
	MP MONOPOINT			S SATIN NICKEL	-LEDS930 12 VOLT LED 90 CRI 3000K (T20/T24)
	MO MONORAIL				-24 24 VOLT HALOGEN

Note: Note: MP includes 4" Round Flush Canopy.
 Antique Bronze is not available for Kable Lite.
 Chrome not offered on Monorail & Two-Circuit Monorail.

700 _____ MML _____

JOB NAME _____

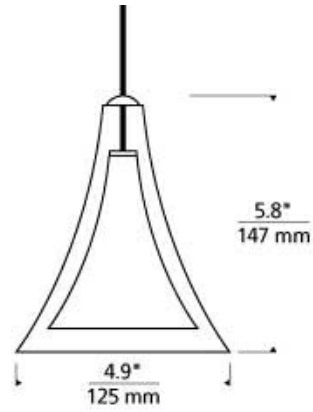
NOTES _____



MINI MELROSE II PENDANT

SPECIFICATIONS

HARDWARE MATERIAL	Metal
SHADE MATERIAL	Glass
NET WEIGHT	3 lbs
HEIGHT	5.8in
WIDTH	4.9in
LENGTH	4.9in
UP LIGHT / DOWN LIGHT / BOTH?	
WET LISTED	
DAMP LISTED	
DRY LISTED	
MIN. HANGING HEIGHT	12.3in
MAX HANGING HEIGHT	78.3in
SLOPED CEILING ADAPTABLE?	
GENERAL LISTING	
INCLUDES	



LAMPING SPECIFICATIONS

	LED LAMP	INTEGRATED LED	NON LED	NO LAMP
DELIVERED LUMENS	500		500	
WATTS	6		35	
MAX WATTAGE PER BULB	35W		35W	
INPUT VOLTAGE	12V 120V		12V 120V	
DIMMING TYPE*	ELV		ELV	
CCT	3000K		3000K	
CRI	90 CRI			
LED LIFETIME				
L70				
AVERAGE BULB HOURS	30000		2000	
FIELD SERVICEABLE LED				
LAMP BASE	GY 6.35		GY 6.35	
LAMP SHAPE	T4		T4	
LAMP INCLUDED?	Y		Y	
WARRANTY**	1 Year		1 Year	

* Dimming information available at www.techlighting.com/Downloads#dimming

** Visit techlighting.com for specific warranty limitations and details.

T20 / T24 INFORMATION

	Integrated LED	Replacement LED Lamp	No Lamp *
This product can be used to comply with California Building Energy Efficiency Standards 2016 Title 24 Part 6.		Yes	
This product can be used to comply with California Appliance Efficiency Standards 2016 Title 20 and may be shipped to and sold in California.		Yes	

* If a light fixture or component does not include a lamp or light source, it is the responsibility of the customer to select a lamp that meets the T24 and T20 requirements.

