

# JOSHUA PICTURE LIGHT

## DESCRIPTION

These elegant, unobtrusive picture lights are designed to properly illuminate artwork without glare. Mounting bracket is grooved to hold picture hanging wire securely. Maximum weight of picture 50 lbs. By changing lamps or adding a lens, Joshua can illuminate an area as small as four inches square or as large as four feet square. J-Box Mount version mounts to any standard junction box. Plug-in version has 10' cord with plug-in transformer.

## DIMMING

J-Box is dimmable with a standard incandescent dimmer

## FINISH

Chrome, Gold, Black

## LAMP

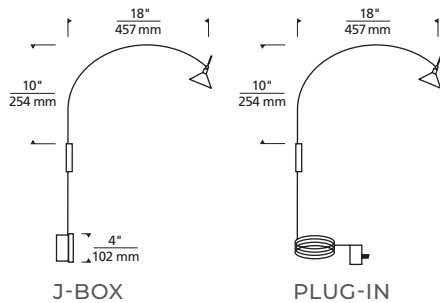
50 watt max, low-voltage 12 volt halogen MR16

## ACCESSORY

Lil Wok accessory with Snap Louver Lens Holder included  
Eggcrate Louver sold separately

## WEIGHT

1.25-1.90 lb./0.57-0.86 kg. ±



## ORDERING INFORMATION

SERIES	MOUNTING	FINISH	LAMP
700JOS	CP J-BOX MOUNT PL PLUG-IN	B BLACK C CHROME G GOLD	-NL NO LAMP -LED LED MR16 90 CRI 3000K 120V

700JOS \_\_\_\_\_

JOB NAME \_\_\_\_\_

NOTES \_\_\_\_\_

