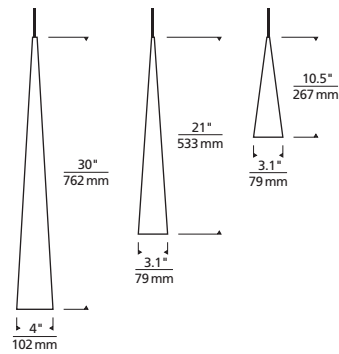




This sleek spun metal cone, available in three graduated sizes and three contemporary finishes, features lamping options designed to provide a strong punch of task lighting on surfaces below.



#### LAMPING

**Small & Large:** Rated for (1) Low-Voltage, 35 watt max. bi-pin lamp / Dimmable with low-voltage electronic or magnetic dimmer (based on the transformer) (Not Included)

**Grande:** Rated for (1) Low-Voltage, 50 watt max. bi-pin lamp / Dimmable with low-voltage electronic or magnetic dimmer (based on the transformer) (Not Included)

**LED** 12 volt 8 watt, 310 gross lumens, 3000K, replaceable SORAA® LED MR16 lamp / Dimmable with low-voltage electronic or magnetic dimmer (based on the transformer)

#### SPECIFICATIONS

6 feet of field-cuttable cable

700 SYSTEM	SUM	SIZE	FINISH	LAMP
FJ FREEJACK	S SMALL	B BLACK**		NO LAMP
MP MONOPOINT*	L LARGE	S SATIN NICKEL**	-LED930	BI-PIN 12 VOLT LED MR16 90 CRI 3000K
MO MONORAIL**	G GRANDE	W WHITE**		
MO2 TWO-CIRCUIT MONORAIL**				

\* INCLUDES 4" ROUND FLUSH CANOPY IN COORDINATING FINISH

\*\* ALL FINISHES INCLUDE SATIN NICKEL CABLE AND SYSTEM CONNECTOR FOR MONORAIL AND TWO-CIRCUIT MONORAIL

Large shown



PHOTOGRAPHER Norma Lopez Molina

LOW-VOLTAGE PENDANTS

243