

Seagull





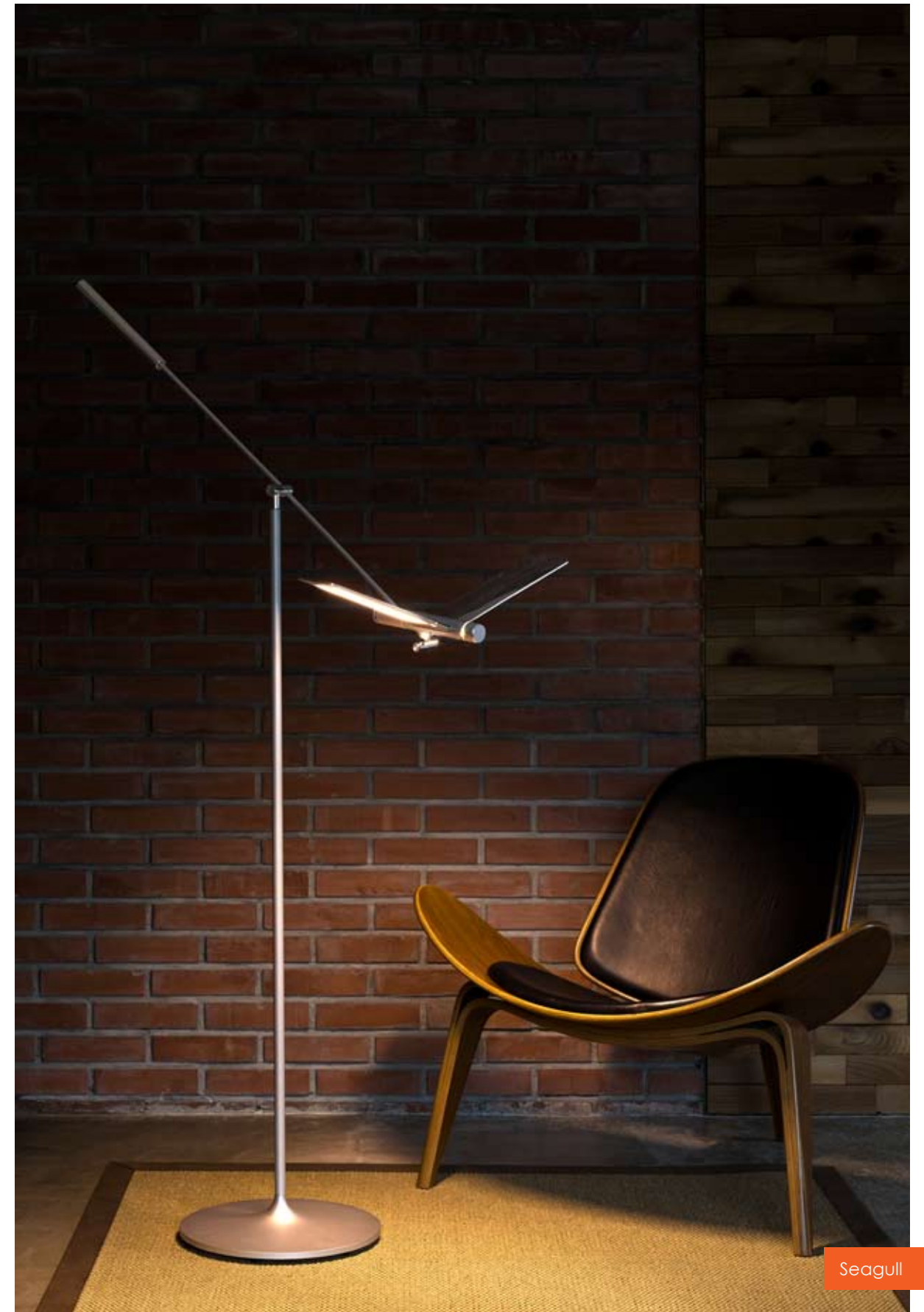
GOOD
DESIGN



reddot design award
winner 2011

Seagull

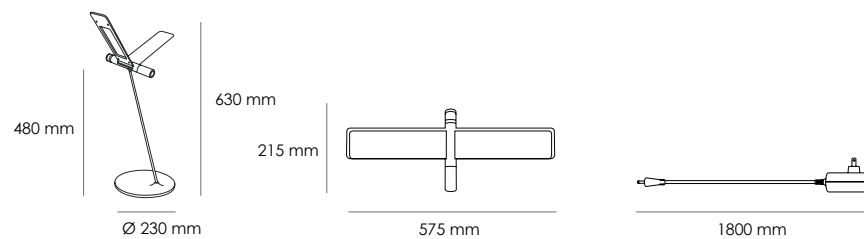
The design is inspired by the seagull that carries an image of being free, light and yet strong. To embody a touch of lightness and a sense of freedom in the luminaire, the design puts LED underneath the "wings" to highlight the thinness, which can only be achieved by LED thanks to its small-size character. The design also places the knobs on the body to allow easy maneuver for users to adjust the lighting, giving them the freedom of creating their own desired ambience. The choice of metal material makes the lamp look steady and delivers a premium feel.



Seagull



 **Table / RP13_D**



 Silver

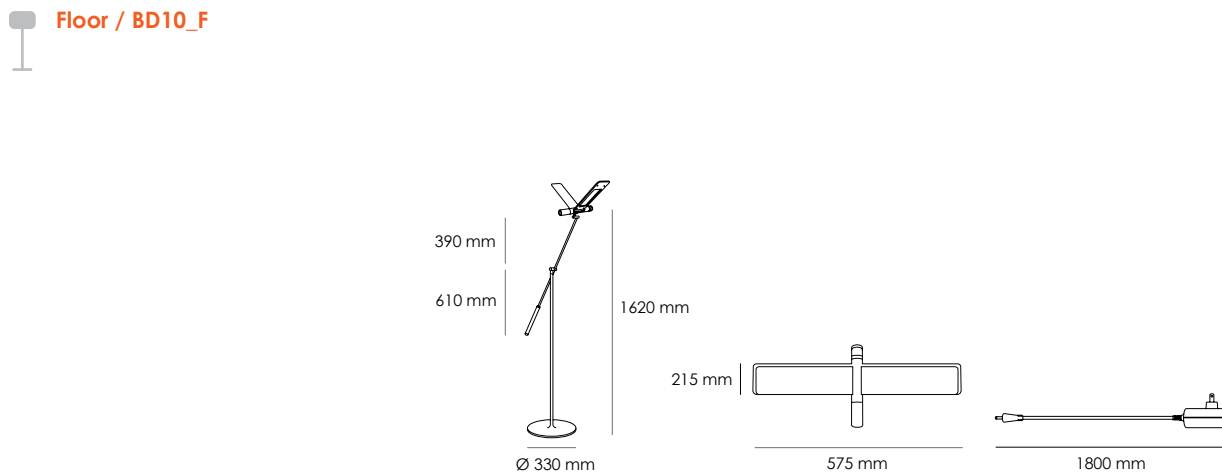
Material	LED Color	LED Lifetime	Power Input	Switch	Luminous Flux
Aluminum alloy, Die casting, Stainless steel, Iron tube	Warm white Cool white	40,000 hours	AC: 100-240 V / 50-60 Hz DC: 12 V, 2 A	Dimmable switch*	430 lm
Kelvin	Net Weight	Power Consumption	Illuminance	Color Rendering Index	
2700 K~3000 K	2.3 kg	14 W (max.)	Wing 0°: 1000 lux; -20°: 1600 lux	> 80	

Certification:





Floor / BD10_F



— Silver

Material	LED Color	LED Lifetime	Power Input	Switch	
Aluminum alloy, Die casting, Stainless steel, Iron tube	Warm white	40,000 hours	AC: 100-240 V / 50-60 Hz DC: 12 V, 2 A	Dimmable switch*	
Kelvin	Net Weight		Power Consumption	Luminous Flux	Color Rendering Index
2700 K~3000 K	5.6 kg		14 W (max.)	430 lm	> 80

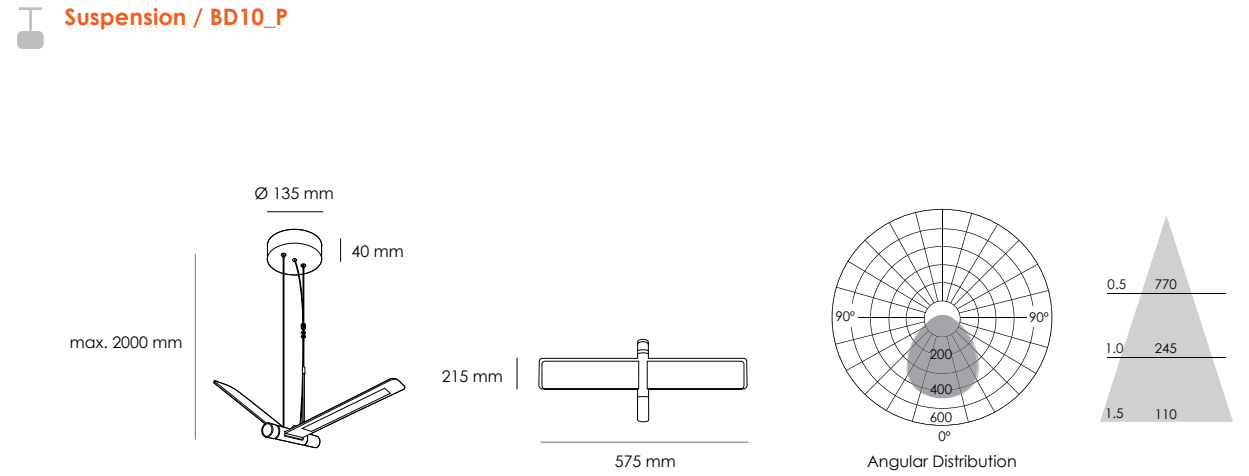
Certification:



*It has two knobs on the main body, the front one for adjusting brightness and the back for adjusting lighting angles. The pole supporting the main body has two axis, making it possible to turn the light in 360 degrees in vertical and horizontal direction.



Suspension / BD10_P



— Silver

Material	LED Color	LED Lifetime	Power Input	Switch	
Aluminum alloy, Die casting, Stainless steel, Iron tube	Warm white	40,000 hours	AC: 100-240 V / 50-60 Hz	Dimmable switch*	
Kelvin	Net Weight		Power Consumption	Luminous Flux	Color Rendering Index
2700 K~3000 K	1.1 kg		14 W (max.)	430 lm	> 80

Certification:



*It has two knobs on the main body, the front one for adjusting brightness and the back for adjusting lighting angles.