

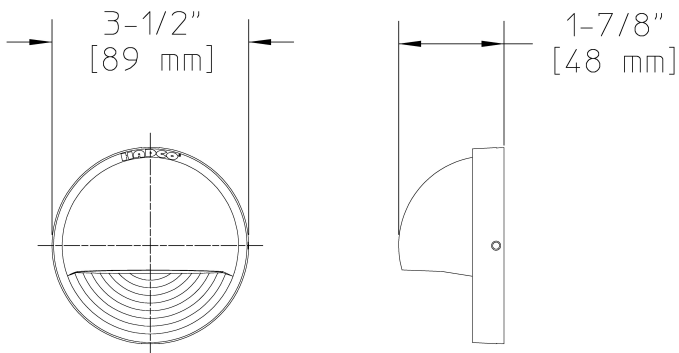
Deck Lighting- Stainless Steel (DAL1) Specification Sheet

Project Name:	Location:	MFG: Hadco
Fixture Type:	Catalog No.:	Qty:

Ordering Guide

Example: DAL1 SS

Product Code	DAL1	Deck Lighting- Stainless Steel
Finish	SS	Stainless steel



Specifications

HOUSING:

Body and mounting plate are cast stainless steel construction.

Fasteners are 300 series stainless steel.

FINISH:

Linear machine brushed, satin appearance.

OPTICAL ASSEMBLY:

Frosted, annealed glass lens Reflector is a stamped specular aluminum.

LAMPING:

10W maximum T3 bi-pin lamp. 10W T3 lamp is included with fixture. Lower wattage lamps are acceptable.

ELECTRICAL ASSEMBLY:

Bi-pin socket type (G4) with 250° C high temperature teflon coated wire leads. 12 volt fixture is pre-wired with 6-ft. pigtail of 18-2 AWG, 105° C, SPT-1 wire. Low voltage quick connector, catalog #LVC3 included for easy hook-up to the low voltage supply cable, not included. 12 Volt system requires remote transformer, not included.

INSTALLATION & MOUNTING:

Two (2) Stainless #8 wood screws (supplied) via key slots.

WARRANTY:

Lifetime limited warranty.

CERTIFICATIONS:

UL Listed to U.S. safety standards for wet locations. cUL Listed to Canadian safety standards for wet locations. Manufactured to ISO 9001:2000 Standards.

Height :

3 1/2" (89mm)

Width:

3 1/2" (89mm)

Depth:

1 7/8" (48mm)

Max. Weight:

0.90 lb