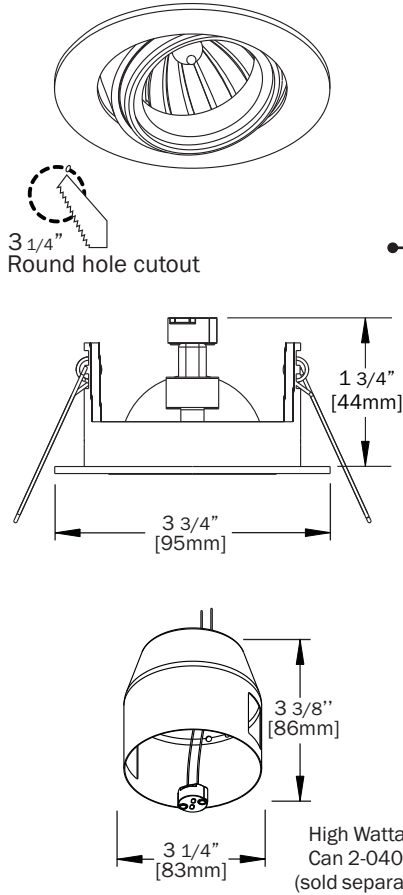


Data and specifications subject to change without notice

Project name	Type
Order number	
Date	



RING

MR16 TRIM FOR REMOTE TRANSFORMERS

SPECIFICATIONS

The Ring is a small diameter adjustable trim designed to be used with a remote transformer only.

NOTE: Trim designed for typical 5/8" drywall application, contact factory for various ceiling thickness.

- ◆ Made of die-cast aluminum
- ◆ Powder coated or plated finishes
- ◆ Glass ring accessory option
- ◆ 30° of vertical adjustability
- ◆ Lamp holder accepts 1 lens accessory
- ◆ Designed for non-cover glass MR16 lamp
- ◆ Clear glass lens included
- ◆ Available for 20W or 50W applications
- ◆ For non-insulated ceilings only, approved for air handling plenums
- ◆ The Ring must be powered by a remote 12V Class 2 electronic transformer

Applications: Ring trim can be used for niches, bulk heads and soffit applications.

ORDER GUIDE

HOUSING	TRIM	FINISH	GLASS (OPTIONAL)
No Housing (Max 20W) ¹ 2-040-RT (Max 50W) ²	2-210 Ring	01 - White 02 - Chrome 04 - Black 05 - Matte Silver 06 - Bronze 09 - Gold 11 - Matte Nickel	F - Frosted Glass B - Blue Glass A - Amber Glass G - Green Glass

Note:

- 1) "No Housing" indicates use with a remote Class 2 transformer
Transformer and R12S socket sold separately
- 2) 2-040-RT requires use of a remote Class 2 transformer