

Fabric Shaded Floor Lamp No. 6120/2*P1
 Fabric Shaded Table Lamp No. 6121/1
 Fabric Shaded End-Table Lamp No. 6122/1



6120/2 PB/BB with Satin White Regular Shade (left)
 6121/1 PB/BB with Satin White Regular Shade (middle)
 6122/1 PB/BB with Satin White Regular Shade (right)

Finish Options:

BB	Brushed Brass
HB/OB	Hand-Brushed Old Bronze
SN	Satin Nickel

6120/2 Shade Options & Dimensions:

6120 . Cognac Cone	57" H, ϕ 21 $\frac{3}{4}$ "
6120 . Satin White Regular	58" H, ϕ 19"

6121/1 Shade Options & Dimensions:

6121 . Cognac Cone	23 $\frac{3}{4}$ " H, ϕ 19"
6121 . Satin White Regular	25 $\frac{1}{2}$ " H, ϕ 16 $\frac{3}{4}$ "

6122/1 Shade Options & Dimensions:

6122 . Cognac Cone	18 $\frac{1}{4}$ " H, ϕ 14"
6122 . Satin White Regular	19 $\frac{1}{4}$ " H, ϕ 13 $\frac{1}{2}$ "

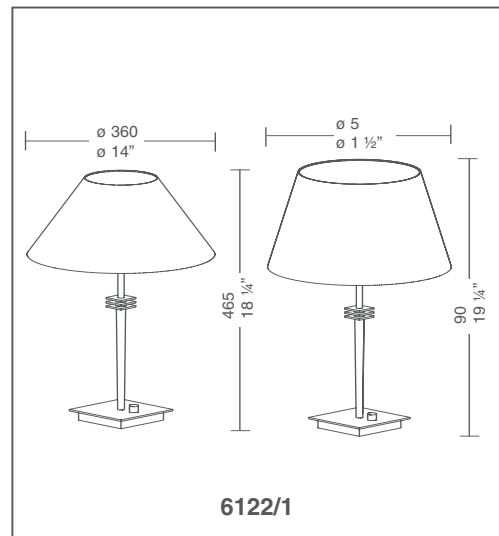
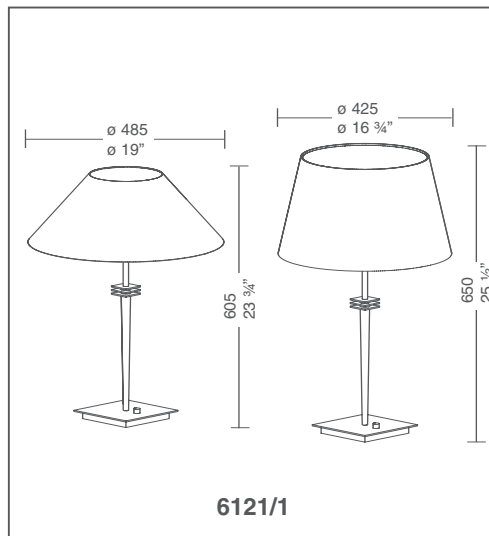
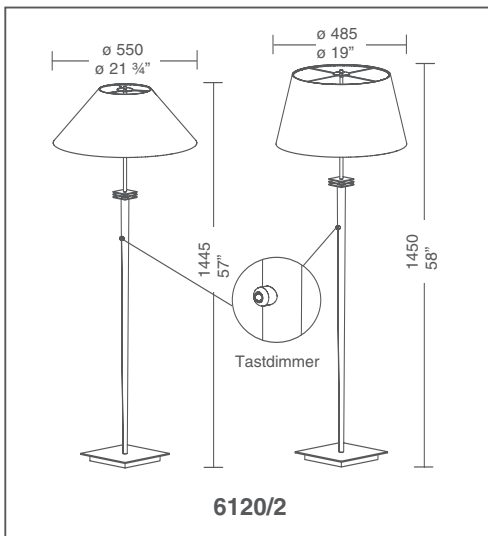
Bulb(s) for Regular Shade:

Medium base, not included.	
6120/2	2 each x Max. 100W
6121/1	1 each x Max. 100W
6122/1	1 each x Max. 100W

Bulb(s) for Cone Shade:

Medium base, not included.	
6120/2	2 each x Max. 75W
6121/1	1 each x Max. 75W
6122/1	1 each x Max. 75W

Simple lines and graceful shades lend a modern look to these table and floor lamps. Floor lamp equipped with a technologically advanced dimmer - DimmSystem Punkt 1*P1; table lamps equipped with turn knob dimmers.



Facing page: 6121/1 HB/OB with Cognac Cone Shade (left)
 6122/1 HB/OB with Cognac Cone Shade (middle)
 6120/2 HB/OB with Cognac Cone Shade (right)



Dimm-System Punkt 1 (*P1)

Dimming System Point 1 *P1

Point Dimming

- the lamp may be turned on with a single click of the P1 dimmer.

Soft On

- the lamp will come on low and continue to brighten to full brightness. This allows the eye to adjust to a gradual increase in light.

Soft / Delayed Off

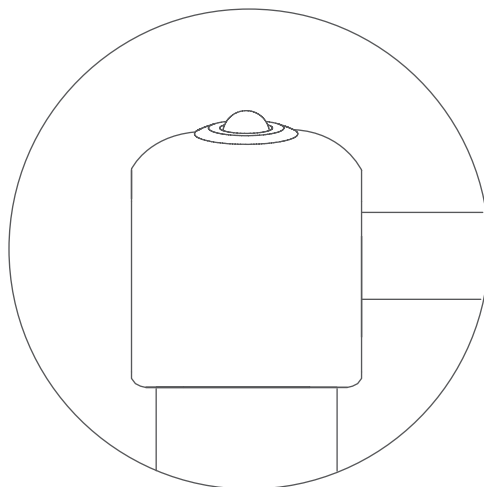
- turn the lamp off with a single click of the P1 dimmer. The lamp will dim to 60% brightness of the original setting, remaining briefly at that level to allow you to exit the room; then the lamp gradually turns itself off. This "soft" off provides a few moments of light after turning the lamp off, rather than immediate darkness as is the case with other switches.

Dimming Cycle

- to adjust the lamp to the perfect light level for any situation, press and hold the P1 dimmer. The dimmer will cycle through all dimming levels. When the lamp achieves the light level of your choice, release the P1 dimmer.

Tilt Switch

- a safety measure is provided with the "Dimm System Punkt 1". In the event that the lamp is tipped over, the tilt switch cuts off the power to the lamp.



HOLTKÖTTER[®]
The Ultimate Lighting Machines[™]