

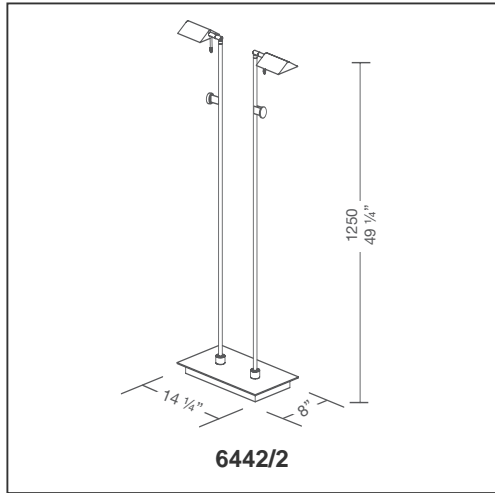
# Bernie Series Double Floor Lamp No. 6442/2



6442/2 Hand-Brushed Old Bronze



6442/2 Chrome



#### Features:

- one 50 W/12 V energy efficient bulb in each reflector
- Light output of 1250 Lumens (equivalent to approximately one 100W incandescent bulb)
- Tremendous reach
- IRC energy-saving technology
- Dimmer within easy reach
- Infinite positioning
- Heavy, weighted base for stability

**ENERGY SAVER**



6442/2 Antique Brass



6442/2 Polished Brass/Brushed Brass

#### Finish Options:

AB	Antique Brass
Chrome	Chrome
HB/OB	Hand-Brushed Old Bronze
PB/BB	Polished Brass/Brushed Brass
SN	Satin Nickel

#### Bulbs:

100 Watt total (one bulb per reflector)  
 2 x 50W/12V, GY 6.35 IRC  
 Low-voltage Halostar  
 by Osram GmbH  
 Order Code: 9250\*050-HSTAR

Facing page: **6442/2** SN

