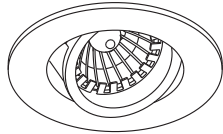
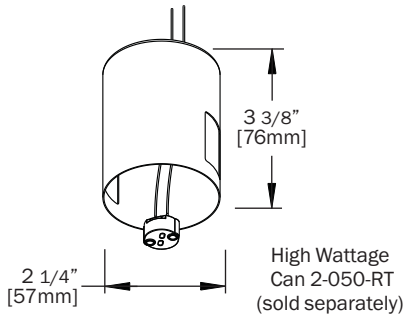
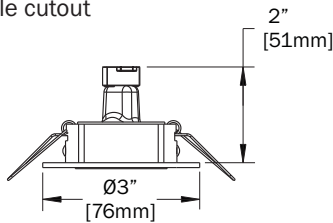


Data and specifications subject to change without notice

Project name	Type
Order number	
Date	



2 1/4" Round hole cutout



# MINI TURNO

## MR11 TRIM FOR REMOTE TRANSFORMERS

### SPECIFICATIONS

The Mini Turno trim is designed for the MR11 low voltage halogen lamp and is to be used with remote transformers only.

NOTE: Trim designed for typical 5/8" drywall application, contact factory for various ceiling thickness.

- ◆ Made of die-cast aluminum
- ◆ Powder coated or plated finishes
- ◆ 20° of vertical adjustability
- ◆ Available for 20W or 35W applications
- ◆ Lamp holder accepts 1 lens accessory
- ◆ Designed for non-cover glass MR11 lamp
- ◆ Clear glass lens included
- ◆ For non-insulated ceilings only, approved for air handling plenums
- ◆ The Mini Turno trim must be powered by a remote 12V Class 2 electronic transformer

Applications: Mini Turno trim can be used for niches, bulk heads and soffit applications.

### ORDER GUIDE

HOUSING	TRIM	FINISH
No Housing (Max 20W) <sup>1</sup> 2-050-RT (Max 35W) <sup>2</sup>	2-220 Mini Turno	01 - White 02 - Chrome 04 - Black 05 - Matte Silver 06 - Bronze 09 - Gold 11 - Matte Nickel

Note:

- 1) "No Housing" indicates use with a remote Class 2 transformer  
Transformer and R12S socket sold separately
- 2) 2-050-RT requires use of a remote Class 2 transformer